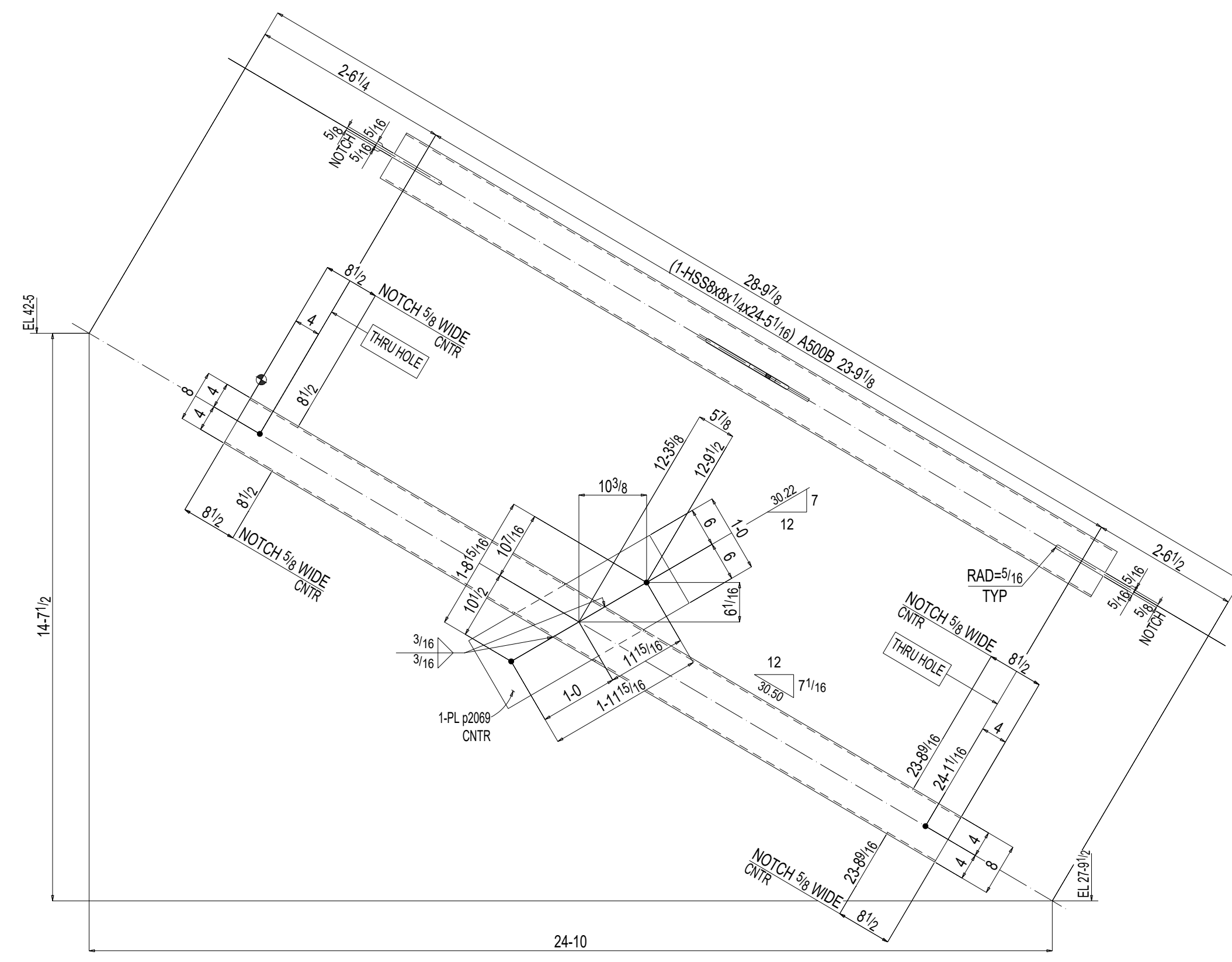


BILL OF MATERIAL

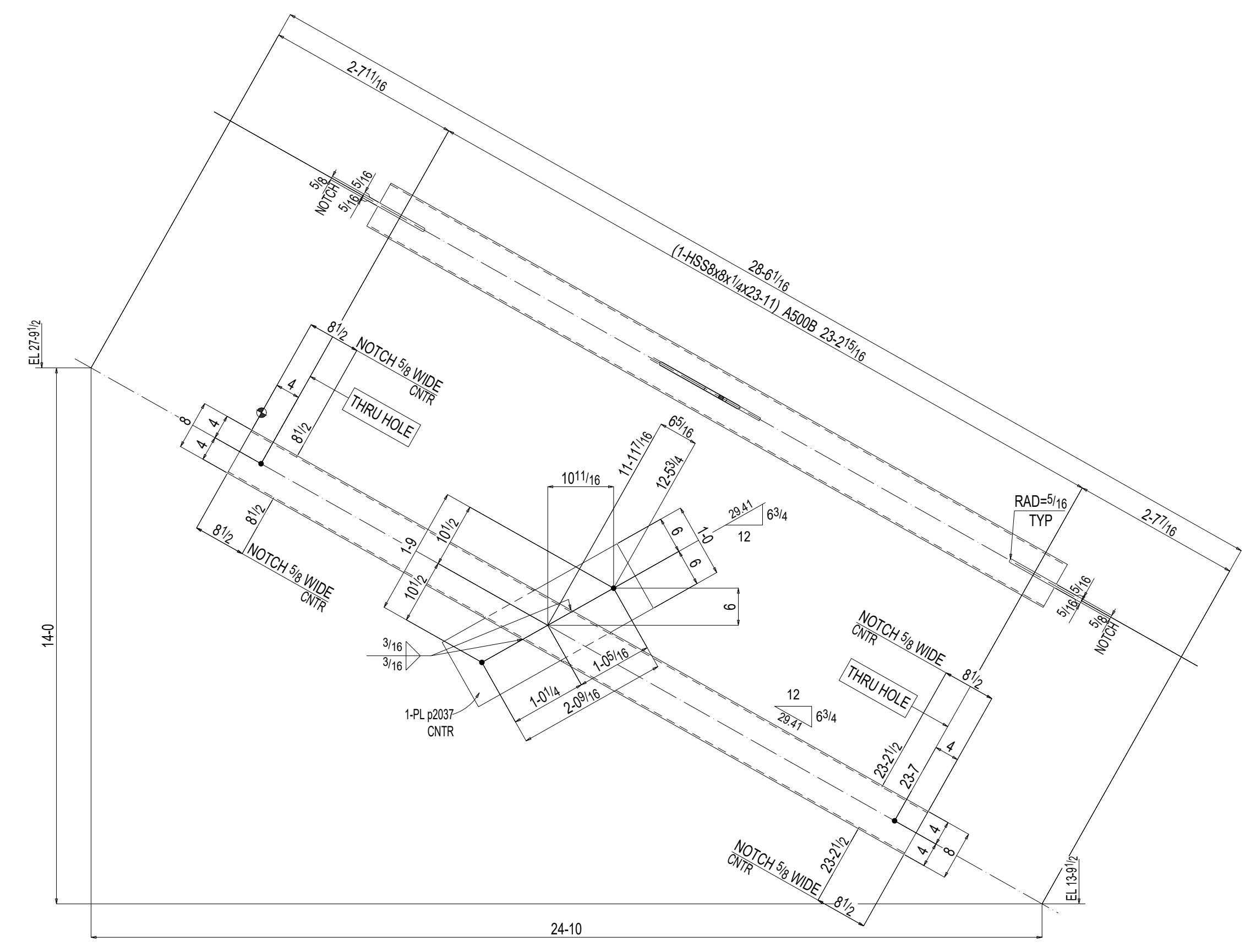
PC MARK	QTY TOTAL	DESCRIPTION	LENGTH	MINOR MARK	STEEL GRADE	REMARKS
270VB1	ONE VERTICAL BRACE					
	1	HSS8x8x1/4	24 5 1/16	270VB1	A500B	
	1	PL 1/2x12	2 8	p2089	A36	
	FIELD BOLTS					
	2	3/4 Dia A307	0 9			
270VB2	ONE VERTICAL BRACE					
	1	HSS8x8x1/4	23 11	270VB2	A500B	
	1	PL 1/2x12	2 8 9/16	p2037	A36	
	FIELD BOLTS					
	2	3/4 Dia A307	0 9			
270V3	ONE VERTICAL BRACE					
	1	HSS8x8x3/8	12 6 11/16	270V3	A500B	
	FIELD BOLTS					
	2	3/4 Dia A307	0 9			
270VB4	ONE VERTICAL BRACE					
	1	HSS8x8x3/8	25 4 1/2	270VB4	A500B	
	1	PL 1/2x16	3 4	p2021	A36	
	FIELD BOLTS					
	2	3/4 Dia A307	0 9			

Total weight : 2878



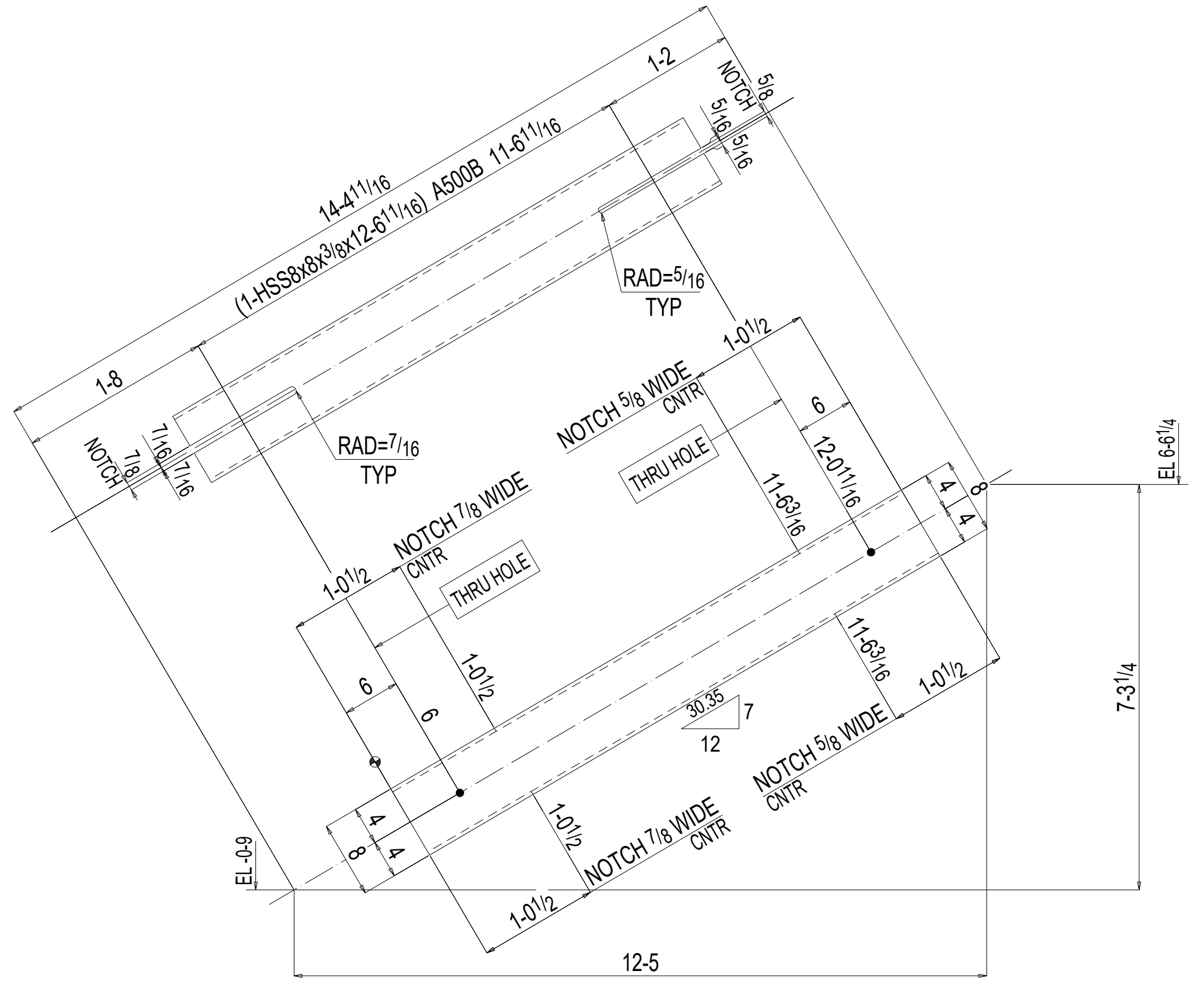
ONE VERTICAL BRACE 270VB1

FIELD BOLTS:
2-3/4Diax9 A307



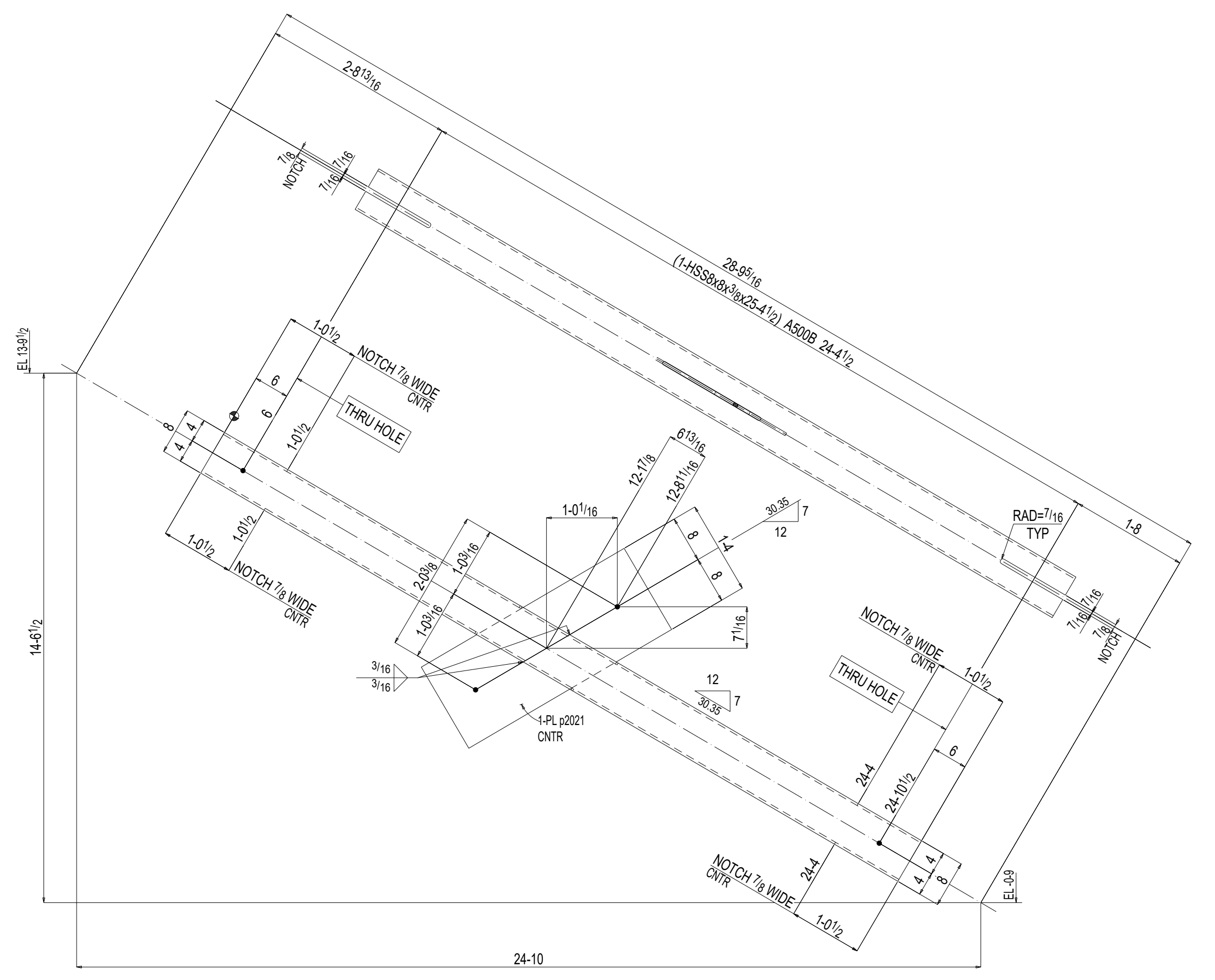
ONE VERTICAL BRACE 270VB2

FIELD BOLTS:
2-3/4Diax9 A307



ONE VERTICAL BRACE 270V3

FIELD BOLTS:
2-3/4Diax9 A307



ONE VERTICAL BRACE 270VB4

FIELD BOLTS:
2-3/4Diax9 A307