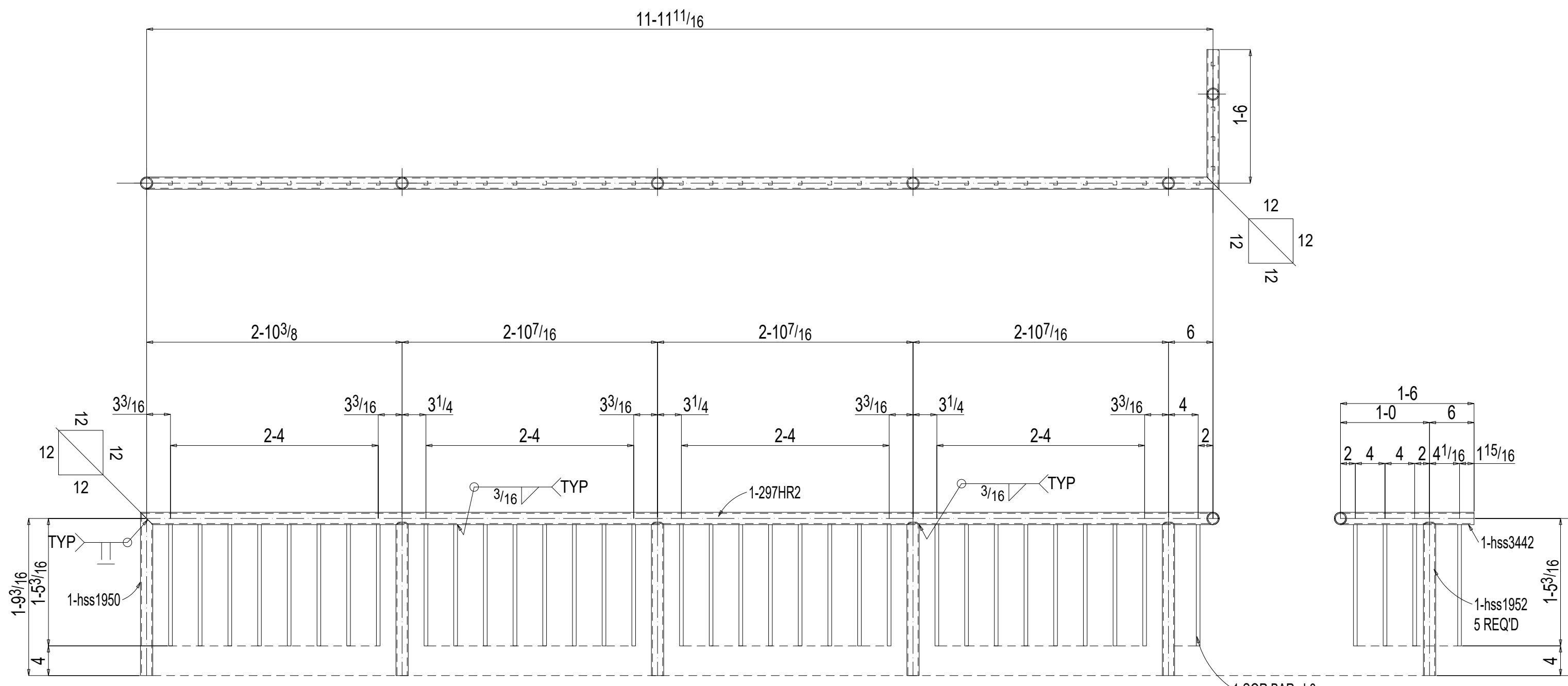
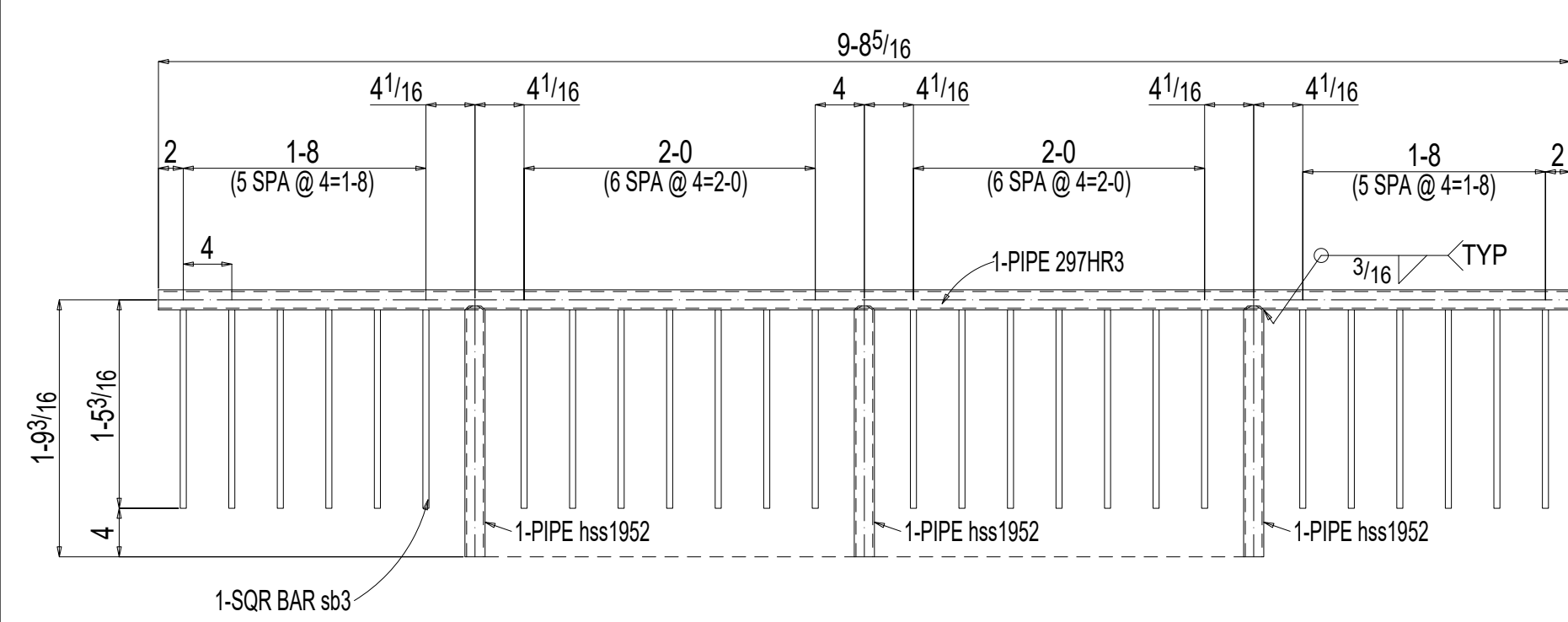


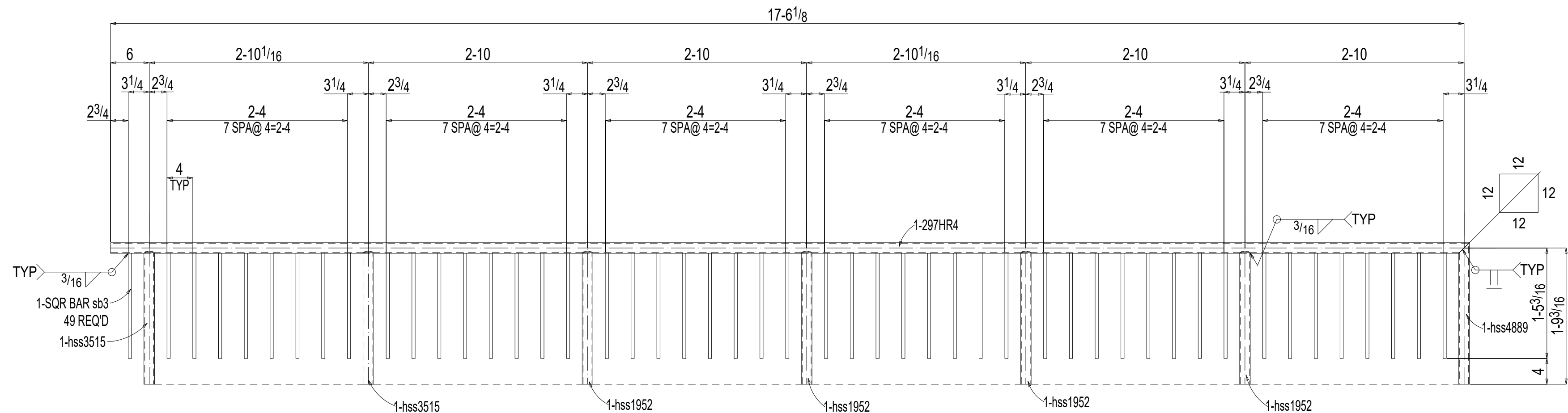
ONE HANDRAIL 297HR1



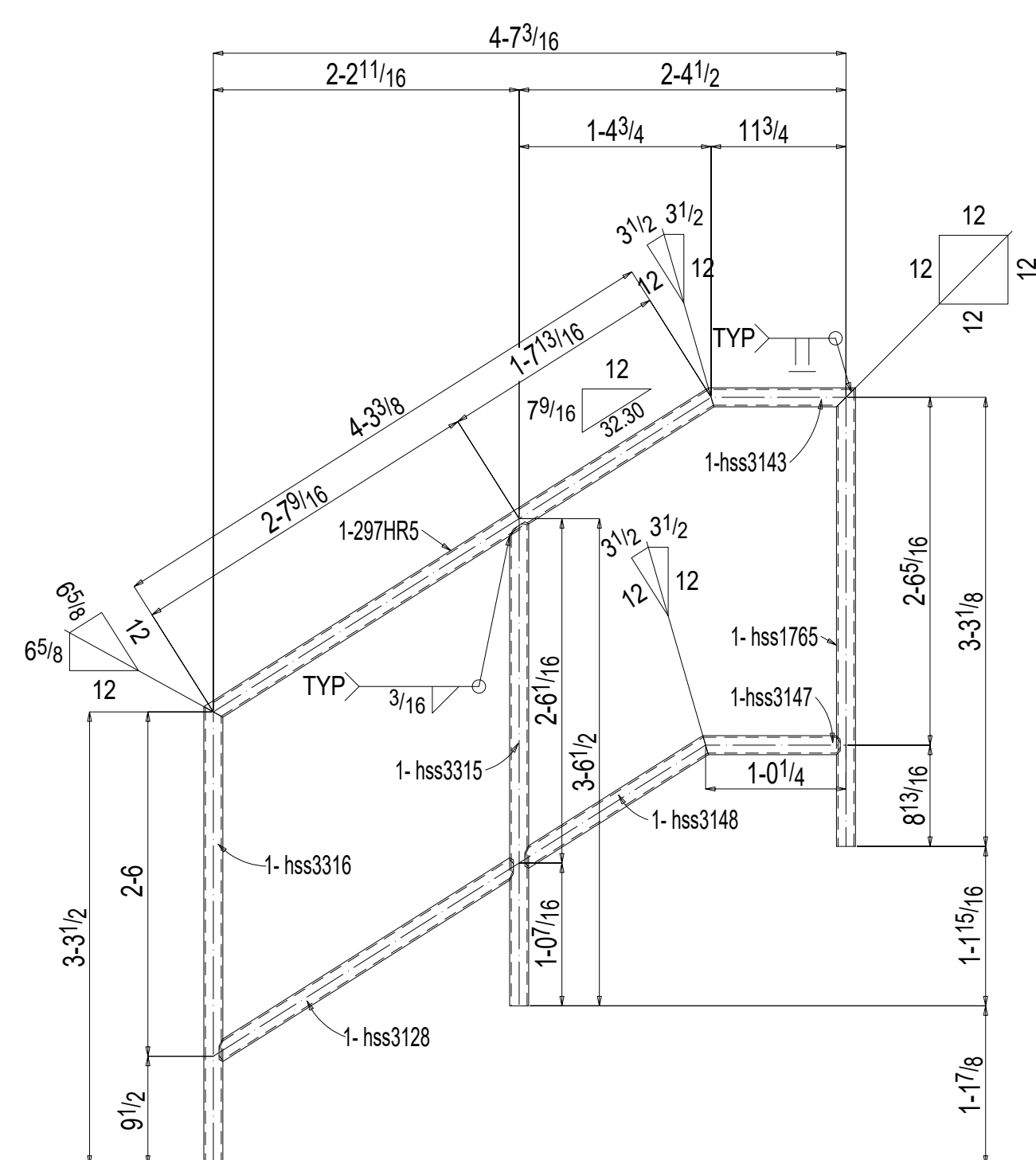
ONE HANDRAIL 297HR2



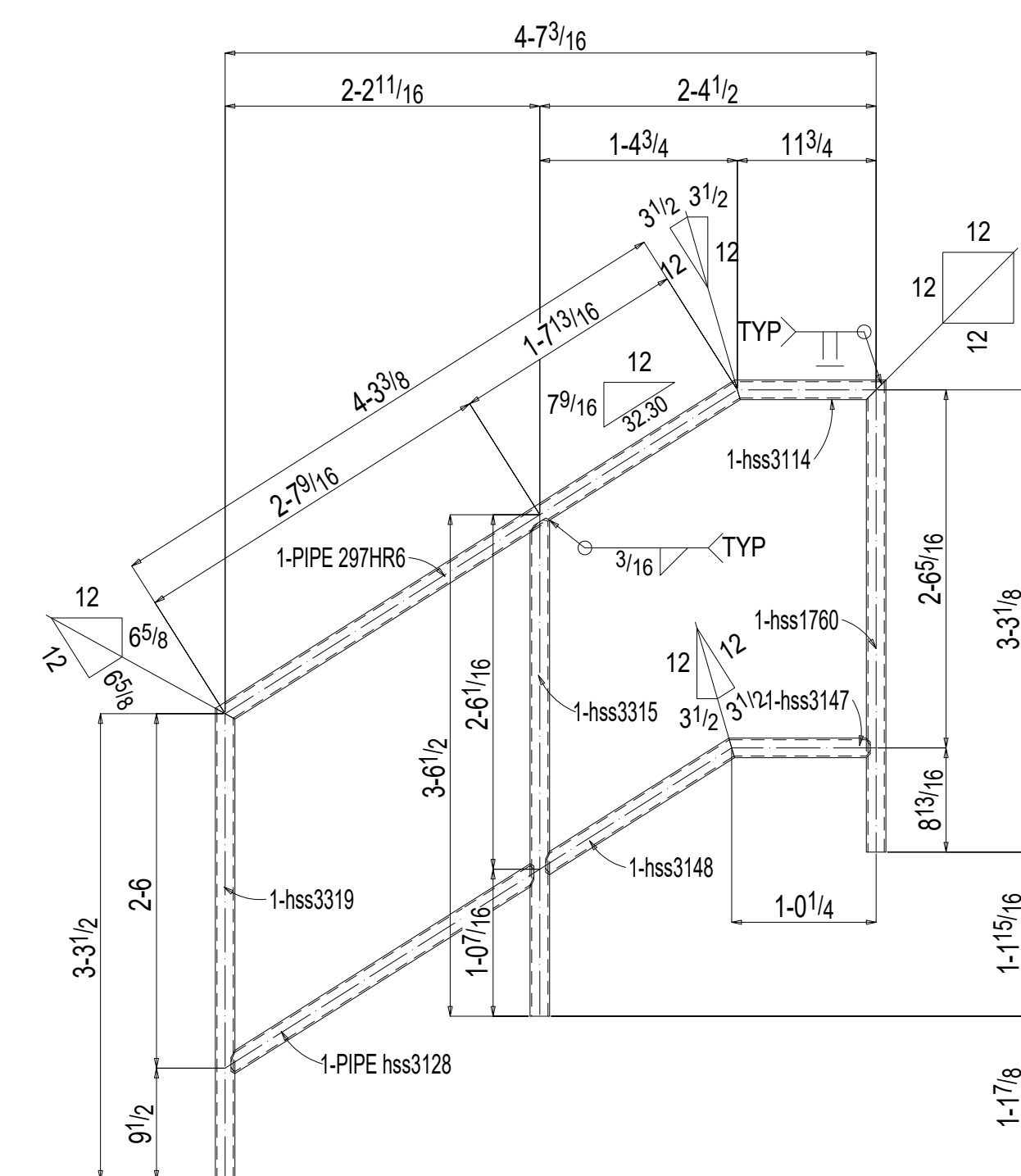
ONE HANDRAIL 297HR3



ONE HANDRAIL 297HR4



ONE HANDRAIL 297HR5



ONE HANDRAIL 297HR6

BILL OF MATERIAL

PC MARK	QTY	DESCRIPTION	LENGTH	MINOR MARK	STEEL GRADE	REMARKS
297HR1	ONE HANDRAIL					
	1	PIPE 1 1/4 STD	10 6 7/8	297HR1	A53	Galv
	3	PIPE 1 1/4 STD	1 8 11/16	hss1952	A53	Galv
	30	SB 1/2	1 4 9/16	sb3	A36	Galv
297HR2	ONE HANDRAIL					
	1	PIPE 1 1/4 STD	12 1 3/8	297HR2	A53	Galv
	1	PIPE 1 1/4 STD	1 10	hss1950	A53	Galv
	5	PIPE 1 1/4 STD	1 8 11/16	hss1952	A53	Galv
	1	PIPE 1 1/4 STD	1 6 13/16	hss3442	A53	Galv
	37	SB 1/2	1 4 9/16	sb3	A36	Galv
297HR3	ONE HANDRAIL					
	1	PIPE 1 1/4 STD	9 8 3/8	297HR3	A53	Galv
	3	PIPE 1 1/4 STD	1 8 11/16	hss1952	A53	Galv
	26	SB 1/2	1 4 9/16	sb3	A36	Galv
297HR4	ONE HANDRAIL					
	1	PIPE 1 1/4 STD	17 6 15/16	297HR4	A53	Galv
	1	PIPE 1 1/4 STD	1 10	hss4889	A53	Galv
	4	PIPE 1 1/4 STD	1 8 11/16	hss1952	A53	Galv
	2	PIPE 1 1/4 STD	1 8 11/16	hss3515	A53	Galv
	49	SB 1/2	1 4 9/16	sb3	A36	Galv
297HR5	ONE HANDRAIL					
	1	PIPE 1 1/4 STD	4 4 1/16	297HR5	A53	Galv
	1	PIPE 1 1/4 STD	3 6 1/4	hss3515	A53	Galv
	1	PIPE 1 1/4 STD	3 4	hss1765	A53	Galv
	1	PIPE 1 1/4 STD	3 4	hss3316	A53	Galv
	1	PIPE 1 1/4 STD	2 7	hss3128	A53	Galv
	1	PIPE 1 1/4 STD	1 7 3/16	hss3148	A53	Galv
	1	PIPE 1 1/4 STD	1 0 13/16	hss3143	A53	Galv
	1	PIPE 1 1/4 STD	1 0	hss3147	A53	Galv
297HR6	ONE HANDRAIL					
	1	PIPE 1 1/4 STD	4 4 1/16	297HR6	A53	Galv
	1	PIPE 1 1/4 STD	3 6 1/4	hss3515	A53	Galv
	1	PIPE 1 1/4 STD	3 4	hss1760	A53	Galv
	1	PIPE 1 1/4 STD	3 4	hss3319	A53	Galv
	1	PIPE 1 1/4 STD	2 7	hss3128	A53	Galv
	1	PIPE 1 1/4 STD	1 7 3/16	hss3148	A53	Galv
	1	PIPE 1 1/4 STD	1 0 13/16	hss3114	A53	Galv
	1	PIPE 1 1/4 STD	1 0	hss3147	A53	Galv

Total weight: 451